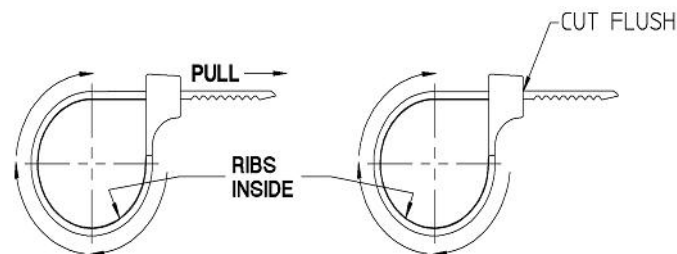
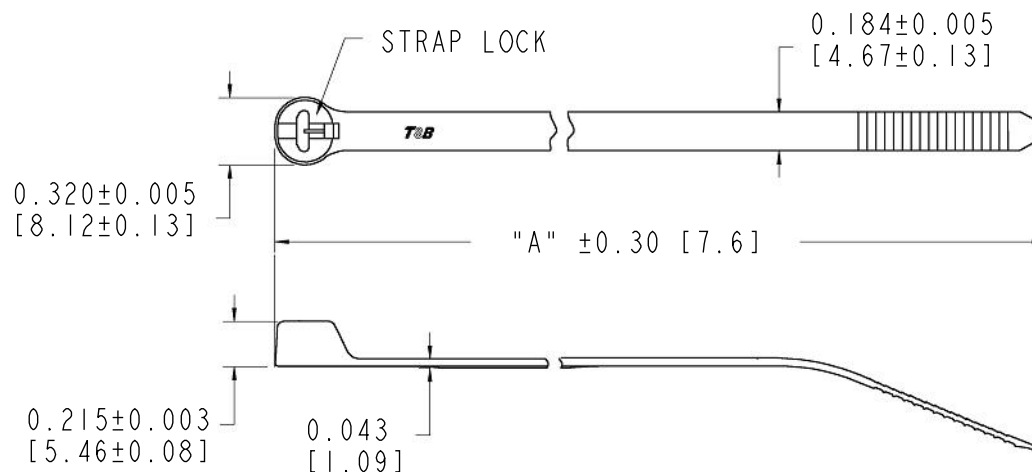




# Ty-Rap®



1. WRAP CABLE TIE AROUND BUNDLE, TEXTURED RIB-SIDE IN.
2. THREAD TAIL OF CABLE TIE THROUGH HEAD UNTIL METAL LOCKING BARB FIRMLY ENGAGES.  
PULL TAIL THROUGH UNTIL HAND TIGHT.
3. FOR BEST RESULTS, COMPLETE INSTALLATION USING RECOMMENDED INSTALLATION TOOL.  
RECOMMENDED INSTALLATION TOOL(S): ERG50,  
WT-199A (MS90387-1)

REVISIONS	GENERAL NOTES	DESCRIPTION: TY-RAP CABLE TIE SELF-CLINCHING (TY25M, TY253M, AND TY28M SERIES)			
A SEE ECN ( **** ) FOR APPROVAL SIGNATURES & RELEASE DATE. PROJECT NO: ****	1. ALL DIMENSIONS ARE FOR REFERENCE ONLY. 2. DIMENSIONS IN BRACKETS [ ] ARE IN METRIC UNITS.	ORIGINAL PROJECT NO / (ECN NO) 009M001527 / ( 000086131 )	SHEET NO: 1 OF 2	REV. NO: A	

CATALOG NO.	COLOR CODE	MS NUMBERS TYPE   CLASS
TY25M	NATURAL	
TY25M-1	BROWN	MS3667-1-1
TY25M-2	RED	MS3667-1-2
TY25M-3	ORANGE	MS3667-1-3
TY25M-4	YELLOW	MS3667-1-4
TY25M-5	GREEN	MS3667-1-5
TY25M-6	BLUE	MS3667-1-6
TY25M-7	PURPLE	MS3667-1-7
TY25M-8	GRAY	MS3667-1-8
TY25M-9	MS NATURAL	MS3667-1-9
TY25M-10	WHITE	
TY25MX	UV BLACK	
TY25MX-0	MS BLACK	MS3667-1-0

LENGTH "A": 7.3 [186]  
 MAXIMUM BUNDLE DIA: 1.89 [48]


CATALOG NO.	COLOR CODE	MS NUMBERS TYPE   CLASS
TY253M	NATURAL	
TY253M-1	BROWN	MS3667-7-1
TY253M-2	RED	MS3667-7-2
TY253M-3	ORANGE	MS3667-7-3
TY253M-4	YELLOW	MS3667-7-4
TY253M-5	GREEN	MS3667-7-5
TY253M-6	BLUE	MS3667-7-6
TY253M-7	PURPLE	MS3667-7-7
TY253M-8	GRAY	MS3667-7-8
TY253M-9	MS NATURAL	MS3667-7-9
TY253M-10	WHITE	
TY253MX	UV BLACK	
TY253MX-0	MS BLACK	MS3667-7-0

LENGTH "A": 11.6 [295]  
 MAXIMUM BUNDLE DIA: 3.0 [78]

CATALOG NO.	COLOR CODE	MS NUMBERS TYPE   CLASS
TY28M	NATURAL	
TY28M-1	BROWN	MS3667-2-1
TY28M-2	RED	MS3667-2-2
TY28M-3	ORANGE	MS3667-2-3
TY28M-4	YELLOW	MS3667-2-4
TY28M-5	GREEN	MS3667-2-5
TY28M-6	BLUE	MS3667-2-6
TY28M-7	PURPLE	MS3667-2-7
TY28M-8	GRAY	MS3667-2-8
TY28M-9	MS NATURAL	MS3667-2-9
TY28M-10	WHITE	
TY28MX	UV BLACK	
TY28MX-0	MS BLACK	MS3667-2-0

LENGTH "A": 14.2 [361]  
 MAXIMUM BUNDLE DIA: 4.0 [102]

MATERIAL: NYLON 6/6 - CONFORMS TO ASTM D4066 PA111  
 MAX. CONTINUOUS USE TEMP: MX: 221°F/105°C  
 NATURAL/COLORS/MX-0: 185°F/85°C  
 FLAMMABILITY RATING: UL94V-2  
 TENSILE STRENGTH: 50 LBS. [220N]  
 UL LISTED TYPE 2, 21S  
 PLENUM RATED AH-2 (EXCEPT WEATHER RESISTANT NYLON)  
 WEATHER RESISTANT NYLON: CONFORMS TO ASTM D4066 PA181

DESCRIPTION:		<b>TY-RAP CABLE TIE SELF-CLINCING</b>		
ORIGINAL PROJECT NO / ECN NO	SHEET NO:	REV. NO:	DRAWING NO:	
009M001527 / ( 000086131 )	2 OF 2	<b>A</b>	<b>WSD-003269</b>	