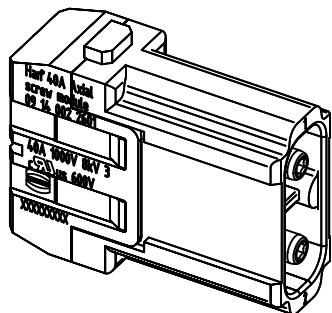
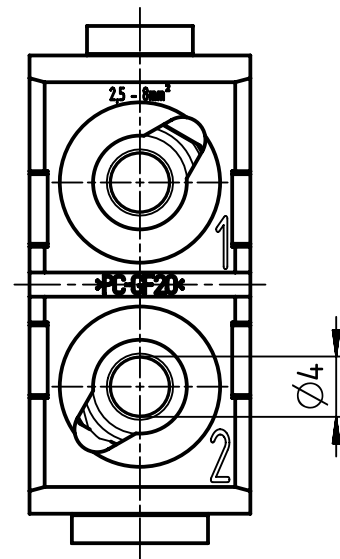
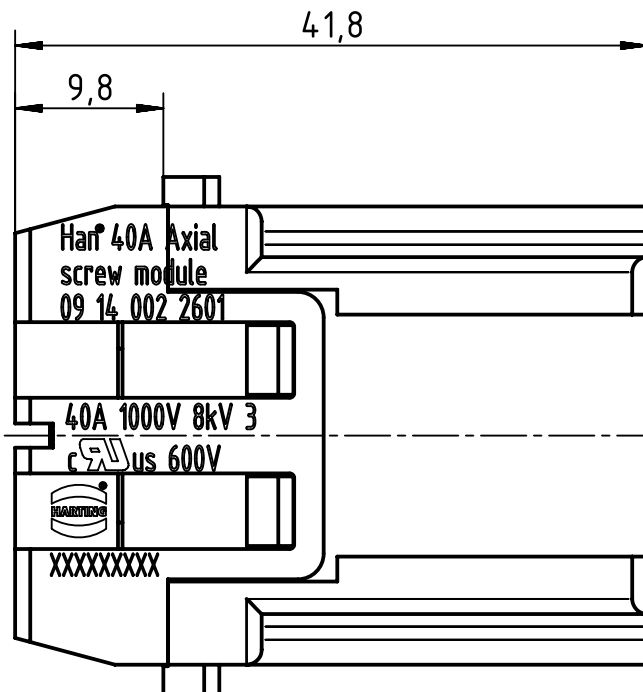


SW2



for stranded wire 2,5-8mm², AWG14-8, fine wire

	All Dimensions in mm Original Size DIN A4	Scale	Free size tol.		Ref.	
		2:1			Sub.	
	All rights reserved Department EL PD - DE	Created by	Inspected by	Standardisation	Date	State
		RULLKOETTER	SCHNIEDER	TIEMANNA	2014-06-11	Final Release
HARTING Electric GmbH & Co. KG D-32339 Espelkamp		Title Han 40A axial module, male 2,5-8mm ²			Doc-Key / ECM-Nr. 100125618/UGD/010/B 500000074632	
		Type	Number		Rev.	Page
		TB	09 14 002 2601		B	1/1