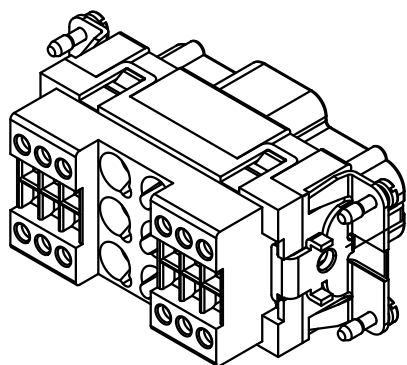
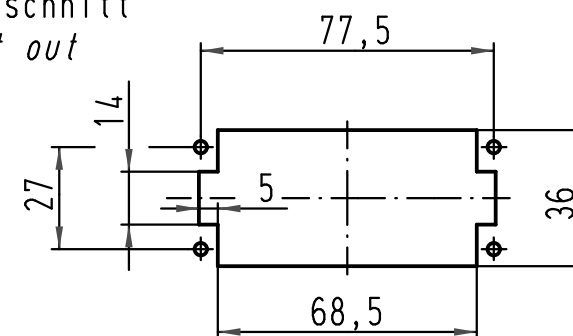


Montageausschnitt
panel cut out
1:2



| | | | | | | |
|---|------|---|----------|------|---|---|
| ALL Dimensions in mm Original Size DIN A 4 | | Techn. Character. | | | Nicht tolerierte Maß/Free size tolerances | |
| | | | Dat. | Name | Maßstab/Scale 1:1 | Han K6/12-F Buchseneinsatz / female insert |
| | | Detail. | 12.03.10 | Rull | | |
| | | Insp. | | Be | | |
| | | Stand. | | | | |
| A | | HARTING Electric GmbH & Co. KG D-32339 Espelkamp | | | | TB 09 38 018 2701 Sub. TB 09 38 018 2701 v. 23.03.93 |
| Mod. | Dat. | Name | | | | |