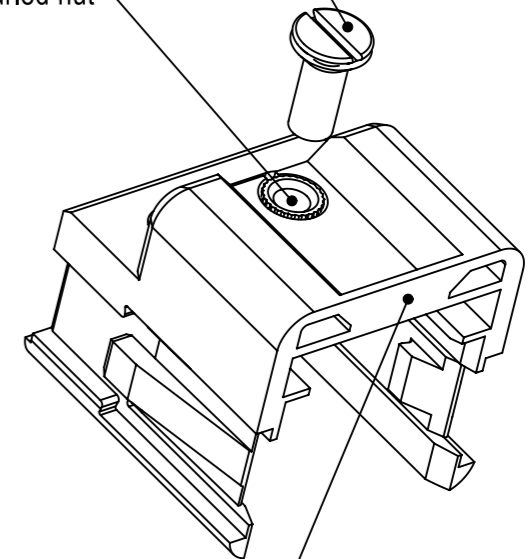



The adapter is delivered with screw + seal

Hole with knurled nut



Note: Cut this little wall if the adapter will be inserted to the Han@3A housing from the mating side.

Screwing torque: 0,5 Nm

	All rights reserved Department EC PD - FR	Created by DOUGE			Inspected by BAGDIKIAN		Standardisation HOFFMANN		Date 2013-08-26		State Final Release	
		Title Han3A RJ45 PFT HIFF adapter								Doc-Key / ECM-Nr. 100193491/UGD/001/A 50000065493		
HARTING Electronics GmbH D-32339 Espelkamp		Type TB		Number 09455150024				Rev. A		Page 1/1		