

Dual Blower Package

WARNING

Disconnect power supply before beginning installation to prevent electrical shock and equipment damage.

To avoid electric shock, do not energize any circuits before all internal and external electrical and mechanical clearances are checked to assure that all assembled equipment functions safely and properly.

FIGURE 1. TYPICAL INSTALLATION

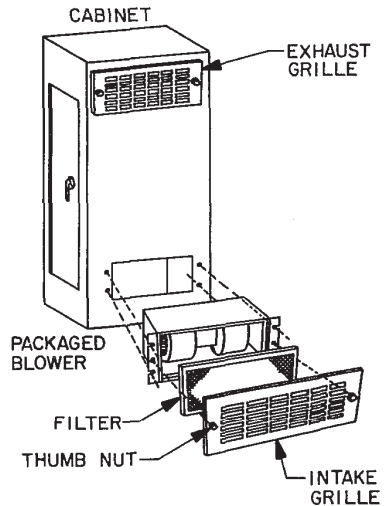
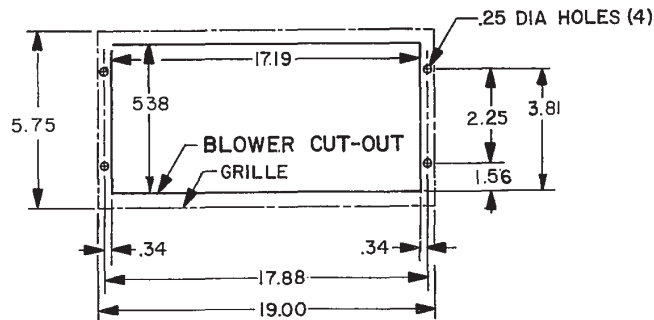


FIGURE 2. LOCATION OF BLOWER MOUNTING HOLES



INSTALLATION INSTRUCTIONS:

1. Before installing blower, read these instructions carefully. Failure to follow the directions could damage the product or cause a hazardous condition.
2. Check the ratings on the blower motor to make sure the product is suitable for your application. The blower operates on 115 VAC, 50/60 hertz, single phase input power.

GENERAL SAFETY INFORMATION:

1. Protect the power cord from coming in contact with sharp objects, hot surfaces, or chemicals.
2. If continuous operation of this blower is essential to the safe operation of any other equipment, then adequate warning devices must be installed to assure safe operation at all times.
3. The blower is designed for 20,000 hours of continuous operation at an ambient temperature not exceeding 150° F. It should be scheduled for replacement at appropriate intervals based on hours of use.

CAUTION: This blower is not designed for use in hazardous locations.

LOCATION AND MOUNTING:

1. Determine the blower location on the enclosure. Clear all wires and components out of the way. Make a cut-out to fit the blower package as shown in figure 2.
2. Locate and drill all four mounting holes (.25 inch diameter).
3. Insert blower in cut-out as shown in figure 1. Be careful not to scratch the blower exterior finish.
4. Mount all four screws through the blower flanges and the enclosure body. Install all lockwashers and nuts and tighten as needed.
5. Assemble filter and intake grille in place and fasten both grille thumb nuts.

WIRING:

1. All wiring must comply with applicable local codes and ordinances.
2. The dual blower comes with a three conductor cord and molded plug. The power cord is internally grounded. Connect this male plug to a corresponding power outlet.

MAINTENANCE INFORMATION:

1. Always disconnect power supply before inspecting or working on the blower.
2. Generally, the blower motor requires no maintenance since the ball bearings are permanently lubricated and sealed.
3. The aluminum filter should be removed and rinsed with warm water to keep it clean. A water soluble adhesive can be sprayed on the filter media to capture more dirt if required.